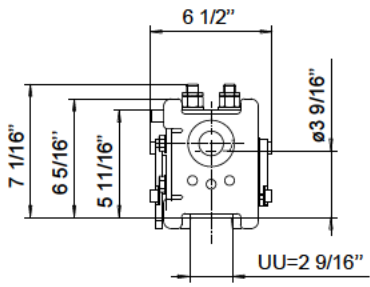
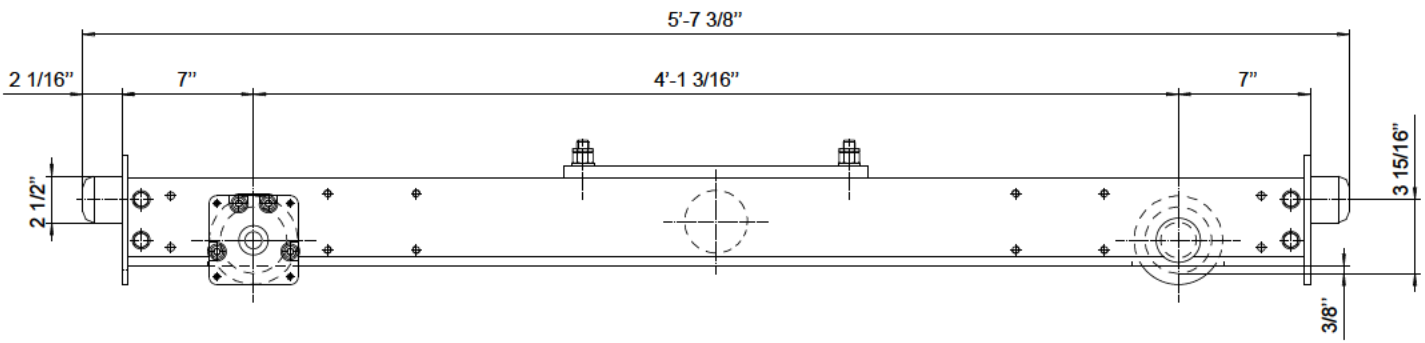
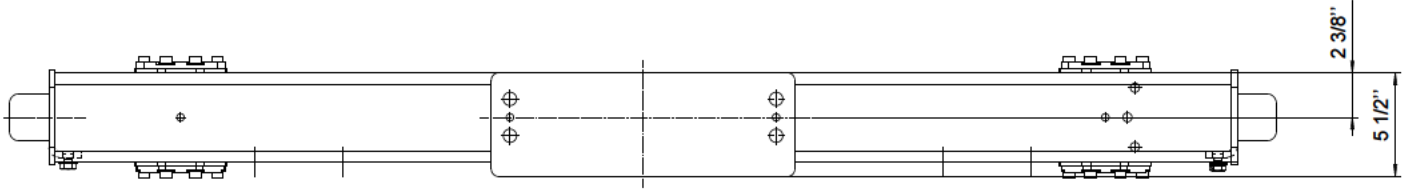
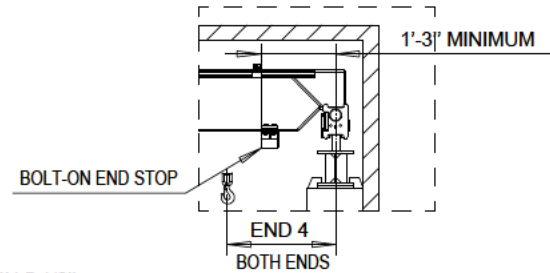
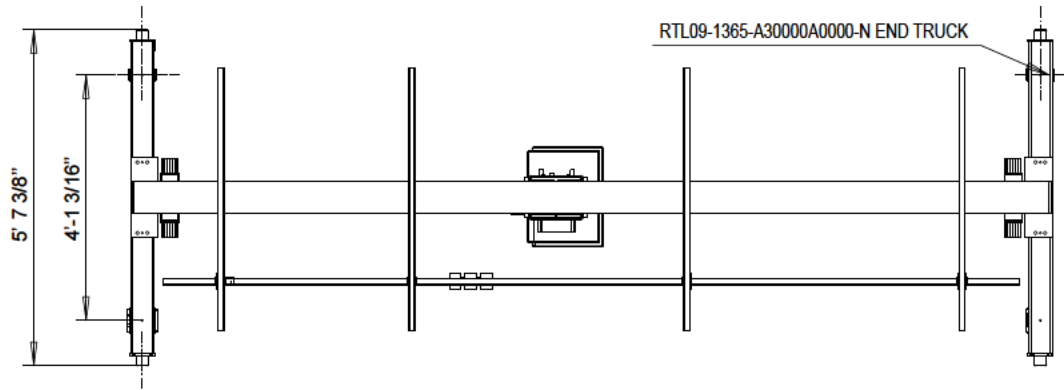


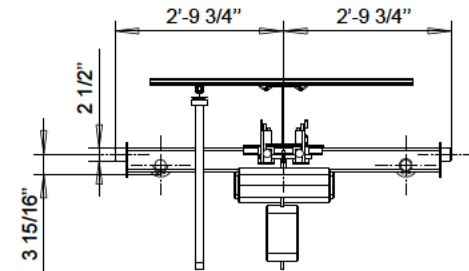
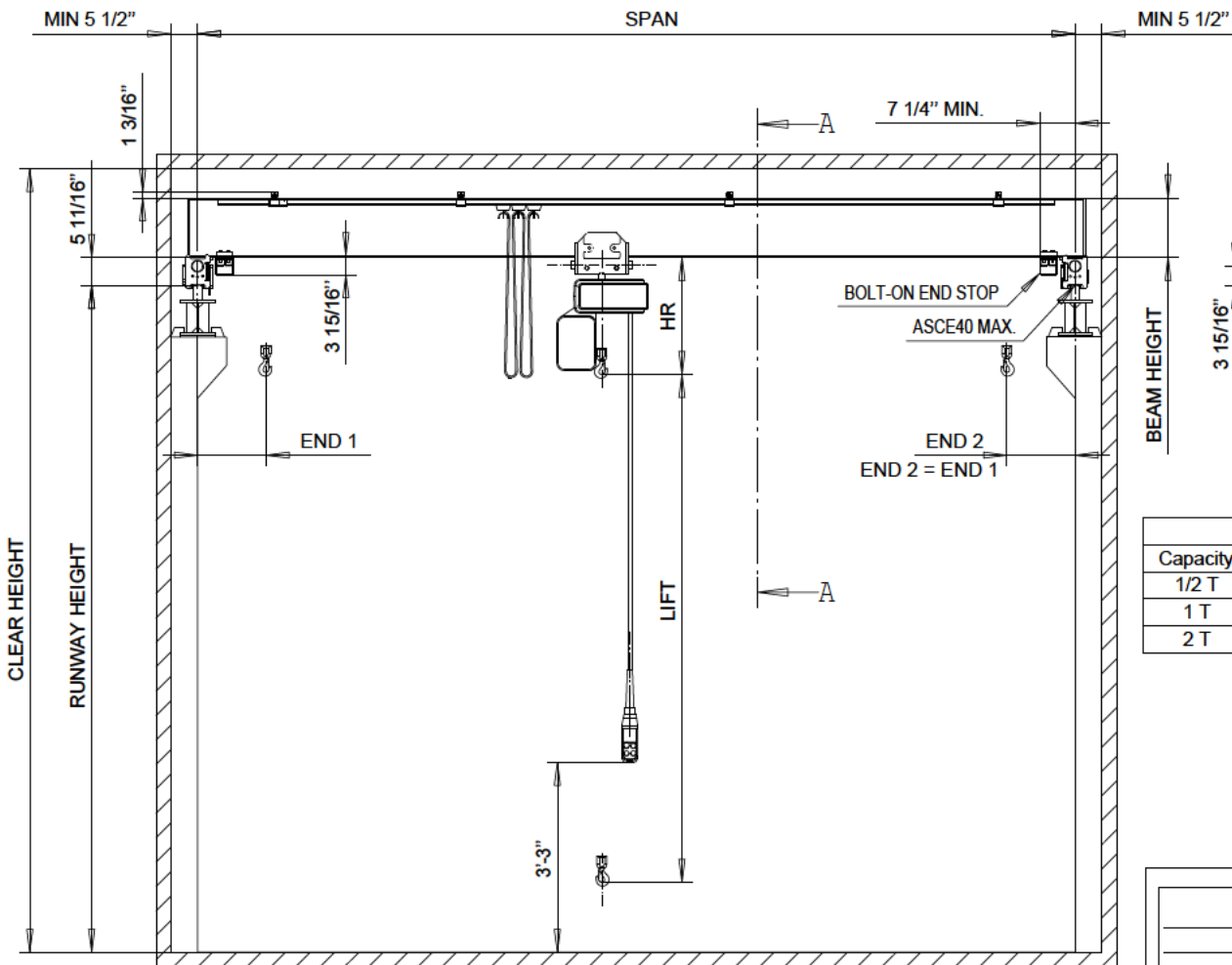
MAXIMUM WHEEL LOAD: 5478 lbs
 WEIGHT PER TRUCK: 117 lbs
 MAXIMUM SPAN: 32'-9"
 MAXIMUM CRANE CAPACITY: 2 TON, 3 TON WITH SMALLER SPANS



	END TRUCK		
	OUTLINE DRAWING		
Hoosier Crane Service Company	RTL09-13		
Elkhart, Indiana	RTL09-13 END TRUCK		2



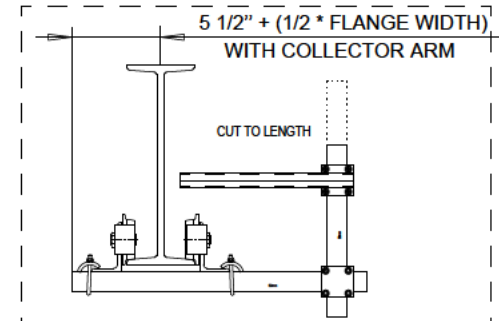
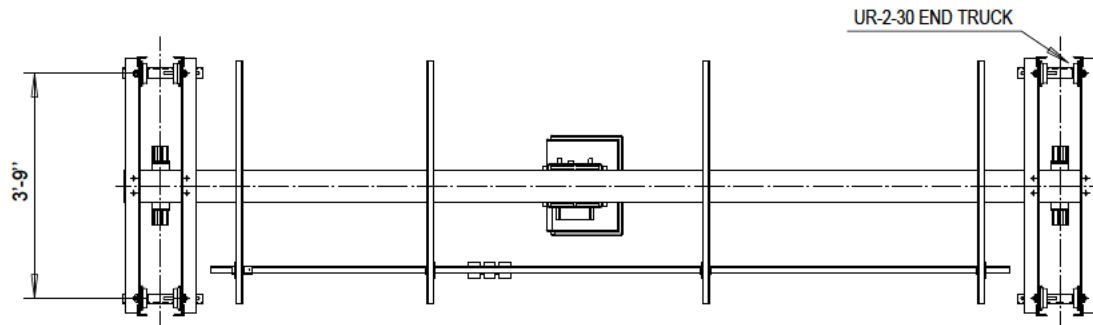
MEDIUM CONNECTION



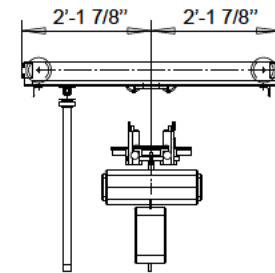
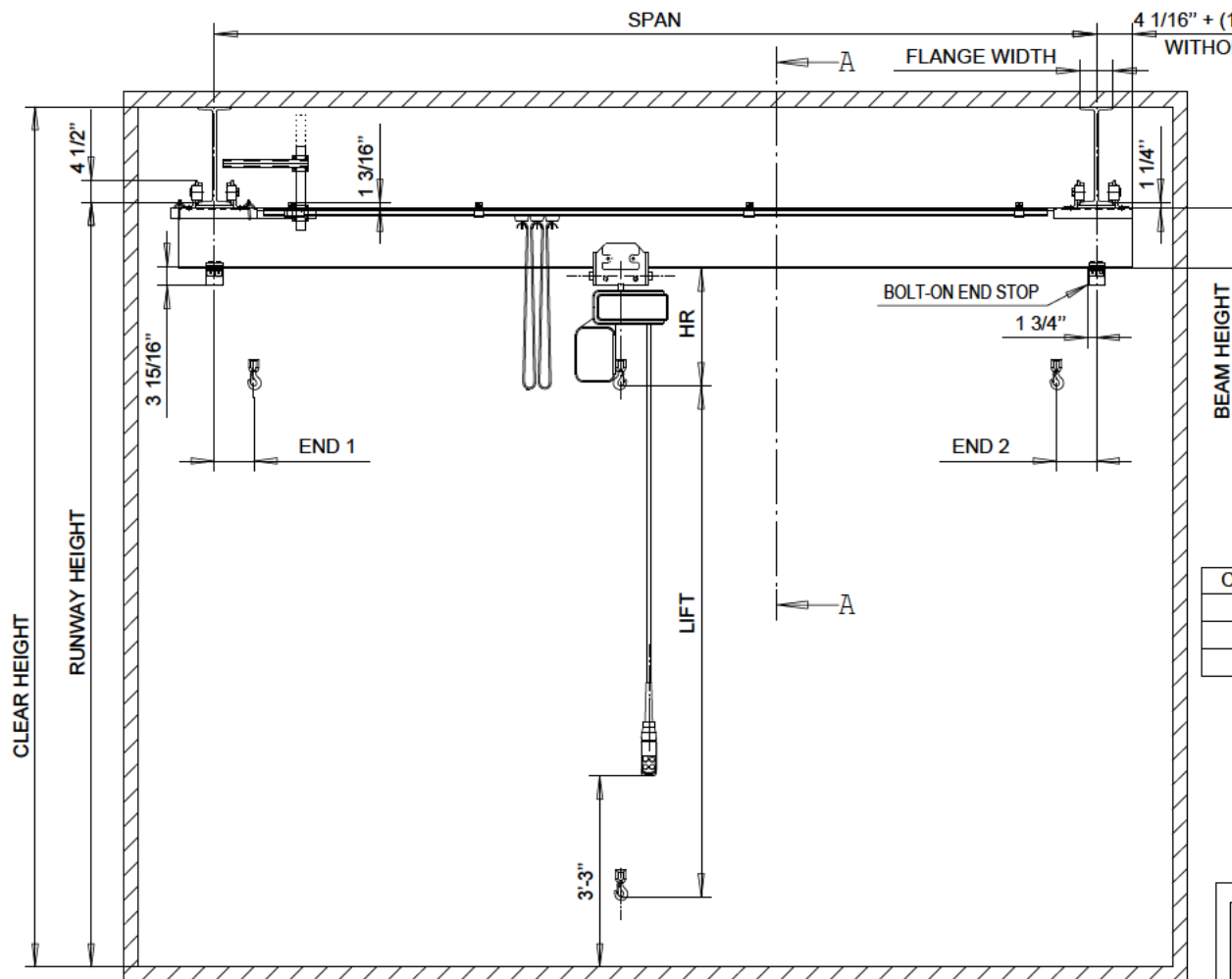
VIEW A-A

Capacity	Hoist	HR	STD	MED
			END 2	END 4
1/2 T	LM05 - 1 fall	19 1/4"	12 1/2"	19 1/4"
1 T	LM10 - 1 fall	22"	14"	20 3/4"
2 T	LM10 - 2 fall	25"	14"	20 3/4"

	QLP SGTR PUSH CRANE	
	SGTR PUSH CRANE	
	Hoosier Crane Service Company	08/2012



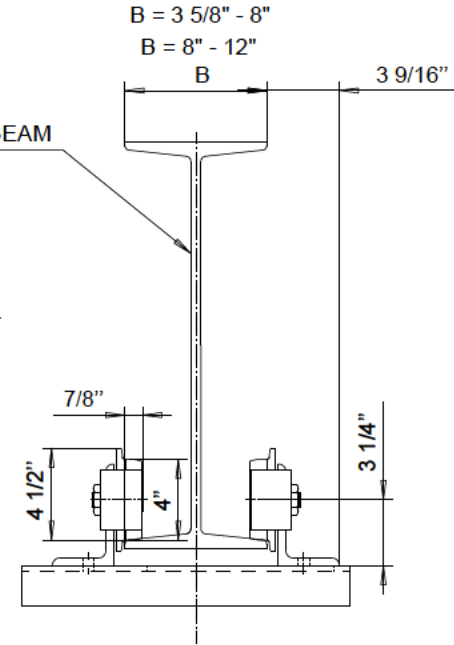
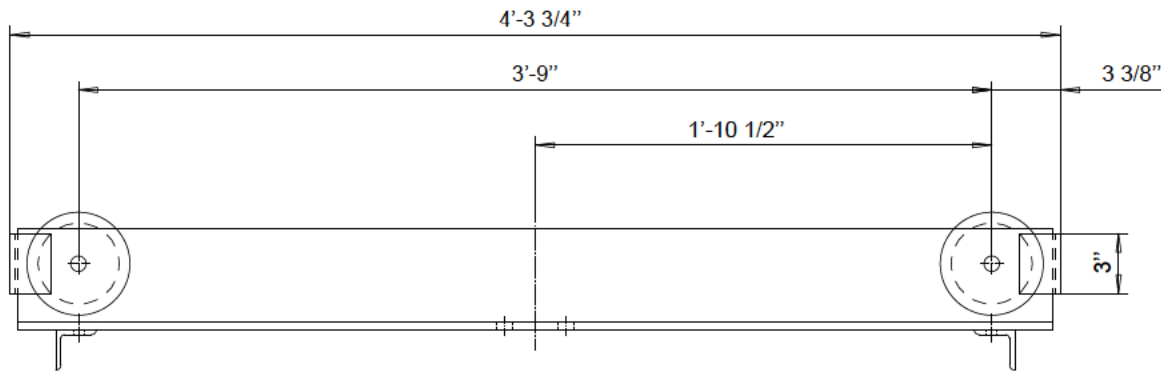
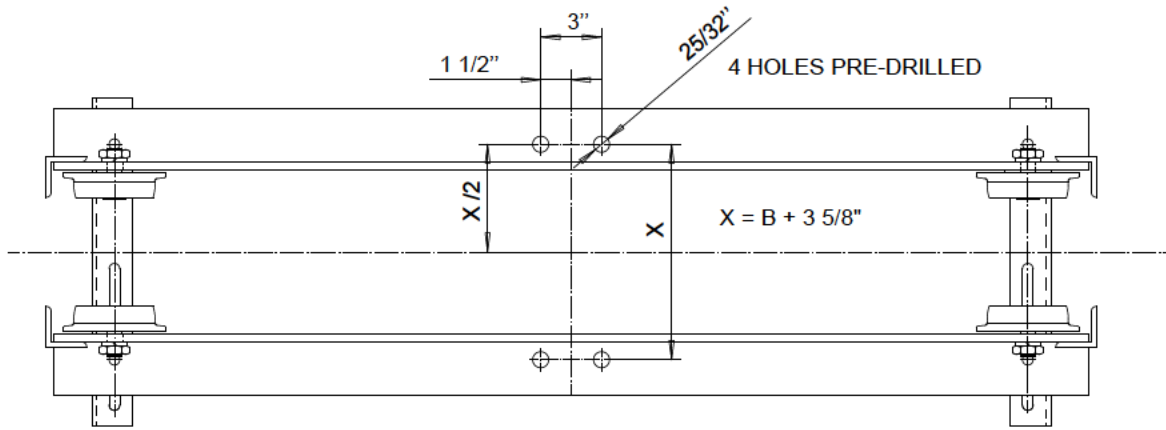
DETAIL - CRANE COLLECTOR ARM OPTION



VIEW A-A

Capacity	Hoist	HR	END 1	END 2
1/2 T	LM05 - 1 fall	19 1/4"	6 3/4"	6 3/4"
1 T	LM10 - 1 fall	22"	7 7/16"	7 7/16"
2 T	LM10 - 2 fall	25"	7 7/16"	7 7/16"

QLP SGUR PUSH CRANE	
Single Girder Under Running PUSH CRANE	
Hoosier Crane Service Company	



MAXIMUM TRUCK LOAD: 5280 lbs
 TRUCK WEIGHT: 121 lbs

jds	Chd	Appd	1 : 6	File
Design	OUTLINE DRAWING			
Dwn				
HCS/ QLP	08-2012			M-film
Dept	Date			
		UR-2-30 END TRUCK		
		Hoosier Crane Service Company		Issue 1 2010