



# L Series Pendant Push Button Stations

Single-Speed, Two-Speed, Three-Speed and Accessories



L2-S



L4-S  
L4-D



L6-S  
L6-D



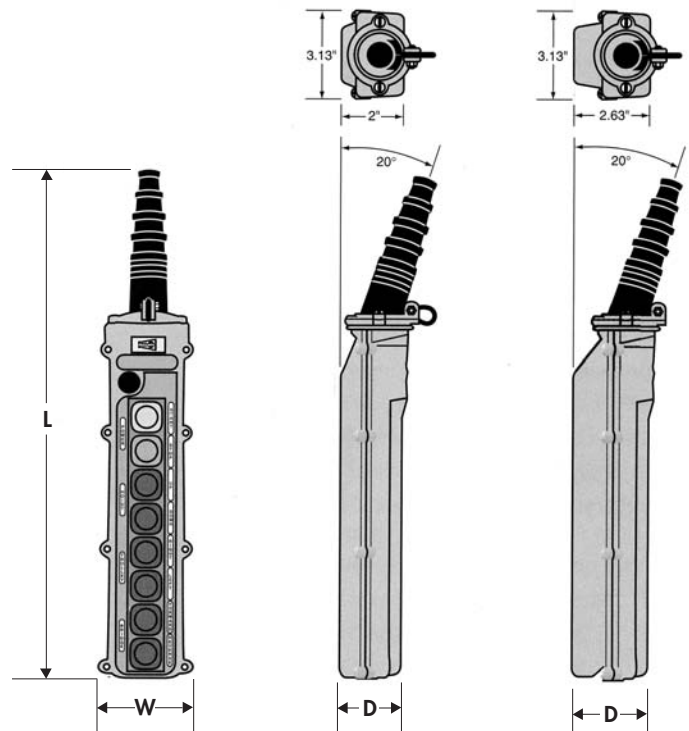
L8-S  
L8-D



L10-S  
L10-D

- Multi-Step Cord Grip for 4 to 24 Conductor Cable
- NEMA 1, 3, 4, 4X and 12
- UL Listed and CSA Approved
- Slim Back Profile (S) for Ergonomic Look & Feel
- Deep Back (D) Profile for Extra Wiring Space
- Strain Relief Hook and Cable Clamp Set
- Large Variety of Accessory Switches Available
- Replaceable Neoprene Boots
- Easy to Read Legend Plates
- Polypropylene Construction

| Catalog Number | Enclosure Type    | W Width | D Depth | L Length | Wt. # | Cable Range   |
|----------------|-------------------|---------|---------|----------|-------|---------------|
| L2-S           | 2 Button Shallow  | 3.13"   | 2.00"   | 6.88"    | .56   | .640" - .890" |
| L4-S           | 4 Button Shallow  | 3.13"   | 2.00"   | 8.25"    | .64   | .640" - .890" |
| L6-S           | 6 Button Shallow  | 3.13"   | 2.00"   | 10.50"   | .74   | .640" - .890" |
| L8-S           | 8 Button Shallow  | 3.13"   | 2.00"   | 12.88"   | .88   | .640" - .890" |
| L10-S          | 10 Button Shallow | 3.13"   | 2.00"   | 15.25"   | .96   | .640" - .890" |
| L4-D           | 4 Button Deep     | 3.13"   | 2.63"   | 8.25"    | .70   | .640" - .890" |
| L6-D           | 6 Button Deep     | 3.13"   | 2.63"   | 10.50"   | .80   | .640" - .890" |
| L8-D           | 8 Button Deep     | 3.13"   | 2.63"   | 12.88"   | .92   | .640" - .890" |
| L10-D          | 10 Button Deep    | 3.13"   | 2.63"   | 15.25"   | 1.04  | .640" - .890" |



Pictures are for illustration purposes and may not represent actual product.