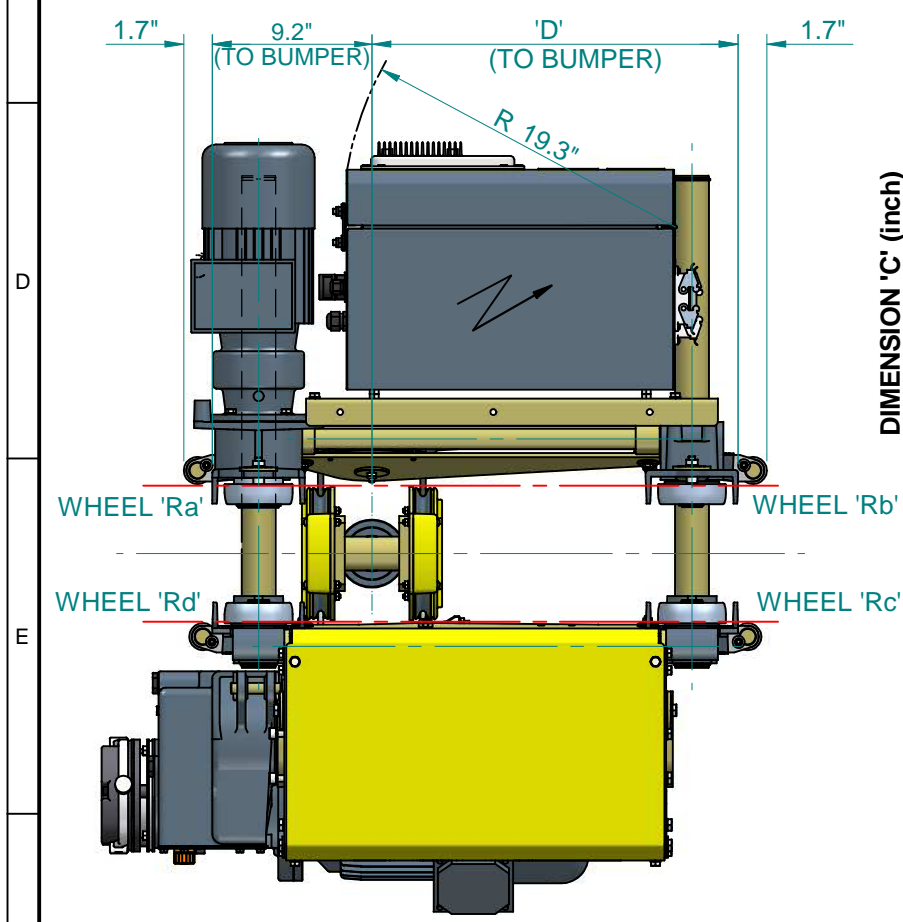
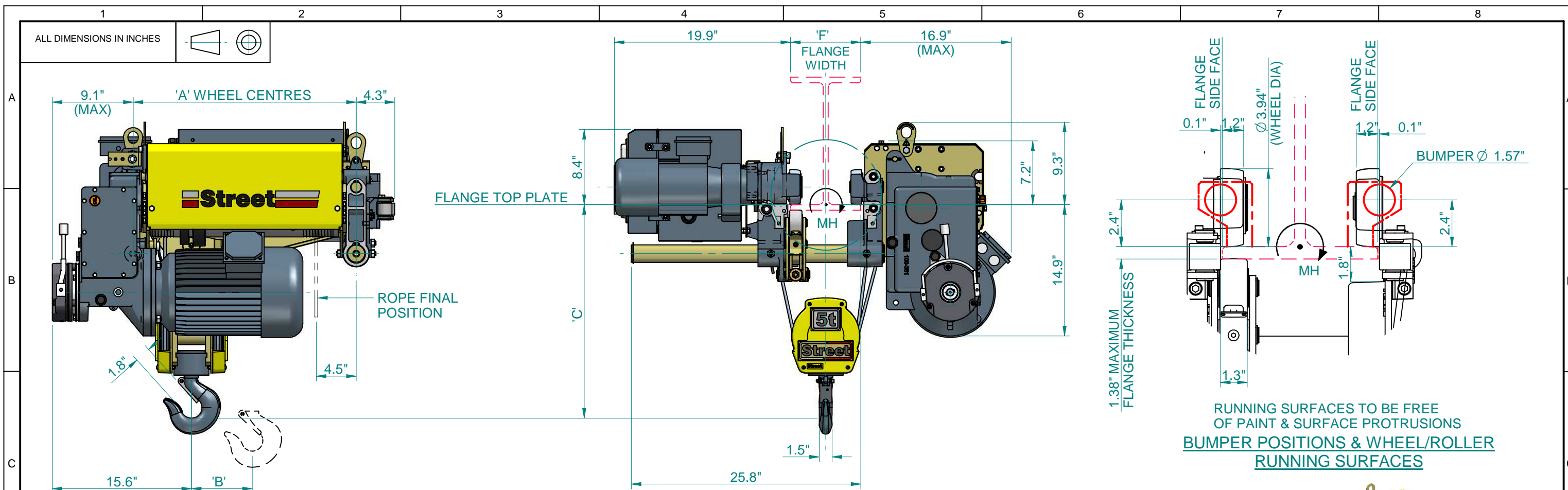
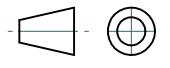
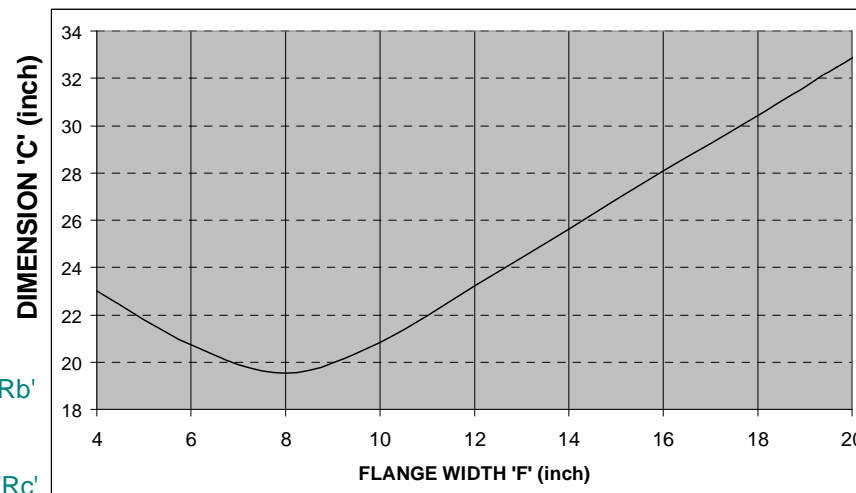


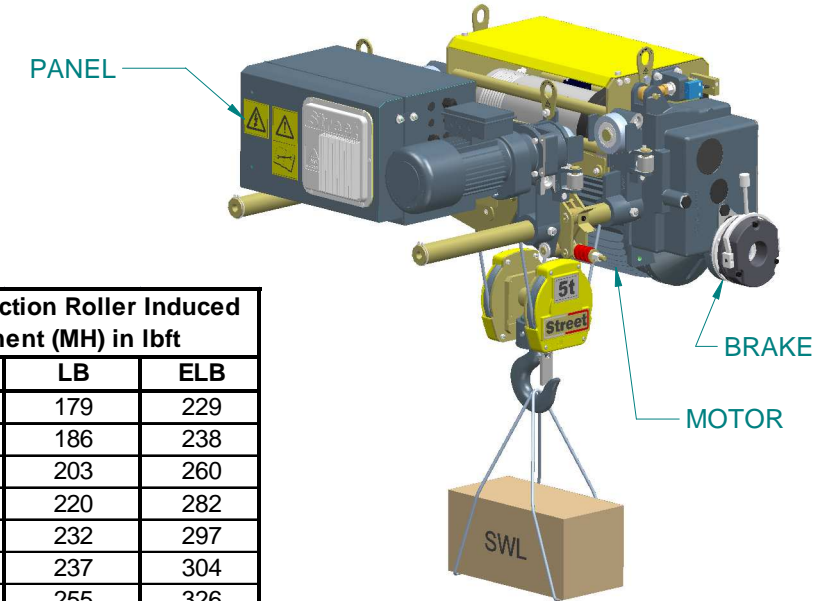
ALL DIMENSIONS IN INCHES



ZX064 DIMENSION 'C'



FLANGE WIDTH 'F' in INCH	'C' DIMENSION in INCH	Hoist Reaction Roller Induced Moment (MH) in lbft		
		NB	LB	ELB
3.9	23.0	162	179	229
5.9	20.8	168	186	238
7.9	19.6	184	203	260
9.8	20.7	199	220	282
11.2	22.4	210	232	297
11.8	23.0	215	237	304
15.7	27.8	230	255	326
19.7	32.5	277	306	392

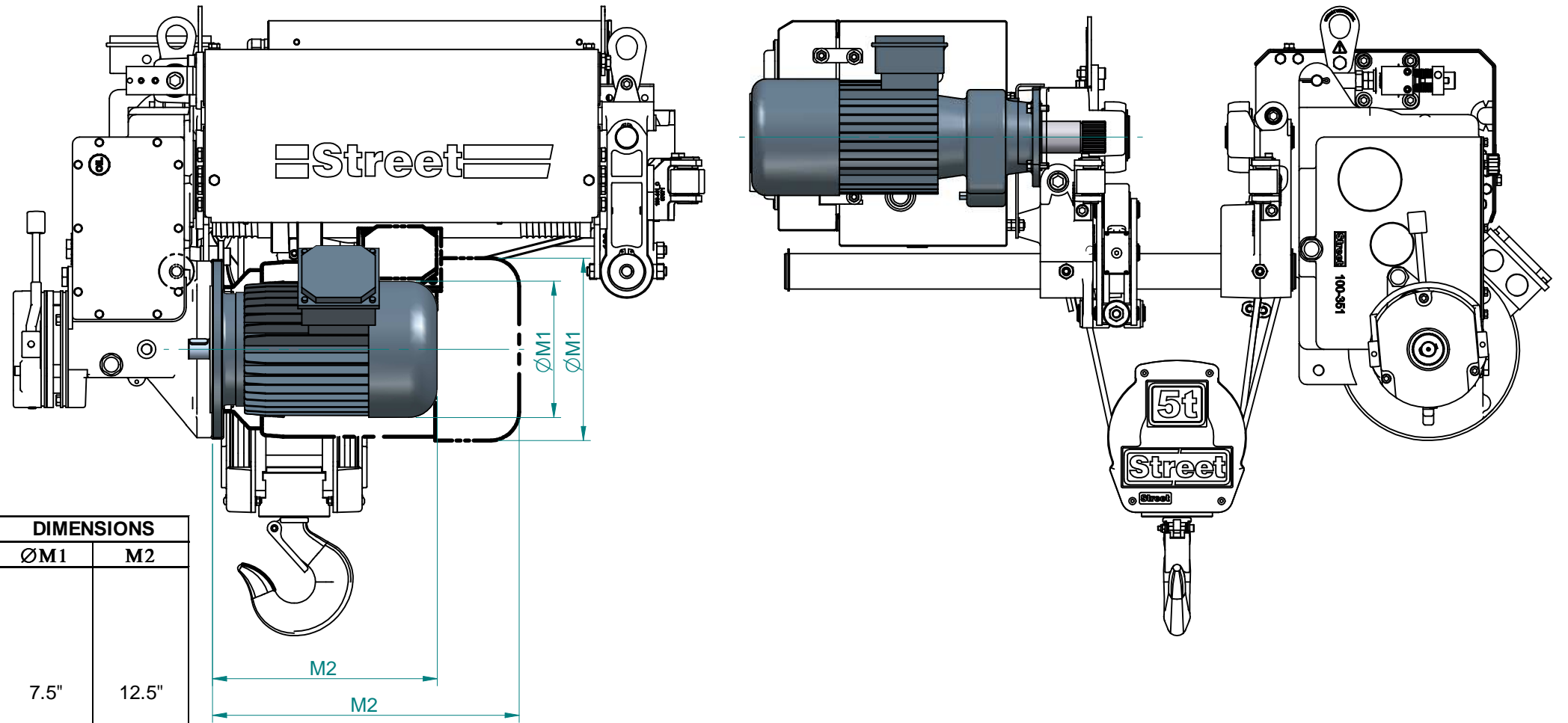
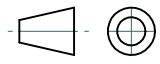


HOIST MODEL	HEIGHT OF LIFT (feet & inch)	* WHEEL LOAD in lb (WORST CASE LOAD AT TOP LIMIT) = FACTOR * SWL (in lb) + VALUE IN ()				SWL POSITION FOR MAX WHEEL LOAD	NET WEIGHT (lb)	DIMENSIONS (inch)		
		Ra	Rb	Rc	Rd			A	B	D
ZX064-***N	21'-4"	0.37 * SWL + (261)	0.14 * SWL + (128)	0.14 * SWL + (128)	0.37 * SWL + (263)	TOP	772	25.1	4.2	21.2
ZX064-***L	32'-9"	0.41 * SWL + (270)	0.10 * SWL + (133)	0.10 * SWL + (144)	0.41 * SWL + (292)	TOP	851	34.1	6.4	30.2
ZX064-***E	49'-2"	0.44 * SWL + (322)	0.07 * SWL + (166)	0.07 * SWL + (190)	0.44 * SWL + (371)	TOP	968	47.7	9.6	43.8

C	BLOCK OPERATED ULTIMATE LIMIT OPTION ADDED, WORD 'INVERTER' IN NOTE CHANGED TO 'CONTACTOR CONTROL' ON SHT 3. WHEEL LOAD TABLE UPDATED. REF ECO-00260	SAJID	05/03/2009	Street Crane Co. Ltd				TITLE	CONTRACT No.
B	SHEET 3 ADDED, NEW ROPE POSITION SHOWN, NET WEIGHT RE-CALCULATED. REF ECO-00152	BPC	09/06/2008	DATE	DRAWN	CHECKED	SCALE	ZX064 LOW HEAD USA DATA SHEET NORMAL, LONG AND EXTRA LONG DRUM	PART No. DZX-1004
REV	DESCRIPTION	BY	DATE	03/04/2008	bhushan	CR	NTS	DRAWING No. 3	DZX-1004 C SHT 1 OF 3

INFRINGEMENT OF COPYRIGHT. THIS DRAWING IS THE PROPERTY OF STREET CRANE COMPANY LTD AND MUST NOT BE COPIED OR SHOWN TO THIRD PARTIES WITHOUT THE WRITTEN PERMISSION OF STREET CRANE CO LTD, CHAPEL-EN-LE-FRITH, HIGH PEAK, SK23 0PH. U.K. T : +44 (0)1298 812456 F : +44 (0)1298 814945

ALL DIMENSIONS IN INCHES



HOIST CODE	PRICE LIST MOTOR REF	DUTY HMI	POWER HP's		DIMENSIONS	
			FAST	SLOW	ØM1	M2
ZX064-3***M3*03*-*****-46060U*4	H3 (US 40°)	H2	6.0	1.9	7.5"	12.5"
ZX064-3***M4*03*-*****-46060U*4		H3	5.5	1.8		
ZX064-3***M5*03*-*****-46060U*4		H4	5.0	1.6		
ZX064-3***M6*03*-*****-46060U*4		H4+	4.5	1.4		
ZX064-3***M7*03*-*****-46060U*4		H5	4.0	1.3		
ZX064-3***M3*03*-*****-46060U*5	H3 (US 50°)	H2	5.4	1.7	7.5"	12.5"
ZX064-3***M4*03*-*****-46060U*5		H3	4.9	1.6		
ZX064-3***M5*03*-*****-46060U*5		H4	4.5	1.4		
ZX064-3***M6*03*-*****-46060U*5		H4+	4.0	1.3		
ZX064-3***M7*03*-*****-46060U*5		H5	3.6	1.2		
ZX064-3***M3*04*-*****-46060U*4	H4 (US 40°)	H2	7.5	2.5	8.5"	13.2"
ZX064-3***M4*04*-*****-46060U*4		H3	6.9	2.3		
ZX064-3***M5*04*-*****-46060U*4		H4	6.3	2.1		
ZX064-3***M6*04*-*****-46060U*4		H4+	5.6	1.9		
ZX064-3***M7*04*-*****-46060U*4		H5	5.0	1.7		
ZX064-3***M3*04*-*****-46060U*5	H4 (US 50°)	H2	6.8	2.3	8.5"	13.2"
ZX064-3***M4*04*-*****-46060U*5		H3	6.2	2.1		
ZX064-3***M5*04*-*****-46060U*5		H4	5.6	1.9		
ZX064-3***M6*04*-*****-46060U*5		H4+	5.1	1.7		
ZX064-3***M7*04*-*****-46060U*5		H5	4.5	1.5		
ZX064-3***M3*05*-*****-46060U*4	H5 (US 40°)	H2	12.5	4.2	10.1"	17"
ZX064-3***M4*05*-*****-46060U*4		H3	11.4	3.8		
ZX064-3***M5*05*-*****-46060U*4		H4	10.4	3.5		
ZX064-3***M6*05*-*****-46060U*4		H4+	9.3	3.1		
ZX064-3***M7*05*-*****-46060U*4		H5	8.3	2.8		
ZX064-3***M3*05*-*****-46060U*5	H5 (US 50°)	H2	11.2	3.7	10.1"	17"
ZX064-3***M4*05*-*****-46060U*5		H3	10.3	3.4		
ZX064-3***M5*05*-*****-46060U*5		H4	9.3	3.1		
ZX064-3***M6*05*-*****-46060U*5		H4+	8.4	2.8		
ZX064-3***M7*05*-*****-46060U*5		H5	7.5	2.5		

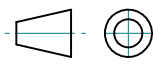
ZX MODEL CODE BREAKDOWN

	HOIST CODE								CRAB CODE			SUPPLY CODE										
	ZX06	4	-	3	**	*	**	*	*	*	*	-	LHR	00	0	2	-	460	60	U	*	4
HOIST TYPE	Z								L			H										
NUMBER OF FALLS	4								00			02										
HOIST MOTOR SPEED	3								00			60										
GEARBOX	**								00			U										
DRUM LENGTH	*								00			4										
DUTY	**								00			02										
SAFE WORKING LOAD	*								00			460										
HOIST MOTOR REF	*								00			60										
BRAKE SIZE	*								00			U										
HOIST CONSTRUCTION	*								00			4										
CRAB GAUGE	*								00			02										
CRAB RAIL SIZE	*								00			60										
TRAVERSE MOTOR SPEED	*								00			02										
OPERATING VOLTAGE (V)	*								00			460										
FREQUENCY (Hz)	*								00			60										
CERTIFICATION	*								00			U										
CONTROL VOLTAGE	*								00			4										

C	BLOCK OPERATED ULTIMATE LIMIT OPTION ADDED, WORD 'INVERTER' IN NOTE CHANGED TO 'CONTACTOR CONTROL' ON SHT 3. WHEEL LOAD TABLE UPDATED. REF ECO-00260	SAJID	05/03/2009	Street Crane Co. Ltd				TITLE	CONTRACT No.			
B	SHEET3 ADDED, NEW ROPE POSITION SHOWN, NET WEIGHT RE-CALCULATED. REF ECO-00152	BPC	09/06/2008	DATE	DRAWN	CHECKED	SCALE	ZX064 LOW HEAD USA DATA SHEET NORMAL, LONG AND EXTRA LONG DRUM		PART No.	DZX-1004	
REV	DESCRIPTION	BY	DATE	03/04/2008	bhushan	CR	NTS	DRAWING No.	3	DZX-1004	C	SHT 2 OF 3

INFRINGEMENT OF COPYRIGHT. THIS DRAWING IS THE PROPERTY OF STREET CRANE COMPANY LTD AND MUST NOT BE COPIED OR SHOWN TO THIRD PARTIES WITHOUT THE WRITTEN PERMISSION OF STREET CRANE CO LTD, CHAPEL-EN-LE-FRITH, HIGH PEAK, SK23 0PH. U.K . T : +44 (0)1298 812456 F : +44 (0)1298 814945

ALL DIMENSIONS IN INCHES



REFERENCE	ADDITIONAL OPTIONS	AVAILABILITY
1	COLLECTOR BRACKET ASSEMBLY (STD)	YES
2	COLLECTOR BRACKET ASSEMBLY (MIR)	YES
3	ROTARY ULTIMATE LIMIT ASSEMBLY	YES
4	TRAVERSE LIMIT (RIGHT LEFT STOP)	YES
5	TRAVERSE LIMIT (RIGHT LEFT SLOWDOWN)	YES
6	TRAVERSE LIMIT (RIGHT LEFT STOP & SLOWDOWN)	YES
7	WIRE TRIP ULTIMATE LIMIT ASSEMBLY	YES
8	50°C AMBIENT	YES
9	INVERTER CROSS TRAVEL	YES
10	OUTDOOR HOIST BRAKE	YES
11	BLOCK OPERATED ULTIMATE LIMIT	YES

A

B

C

D

E

F

A

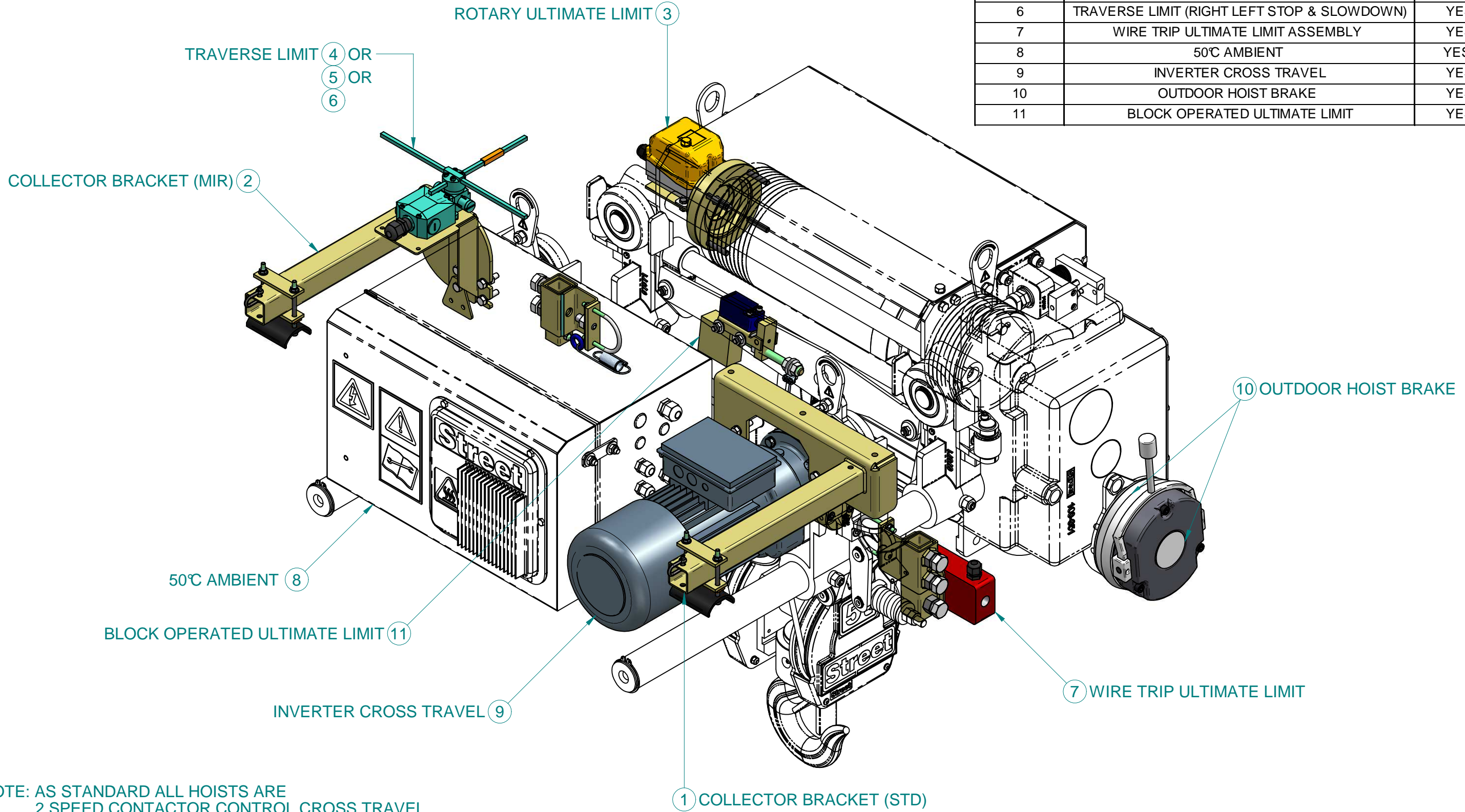
B

C

D

E

F



NOTE: AS STANDARD ALL HOISTS ARE 2 SPEED CONTACTOR CONTROL CROSS TRAVEL, 40°C AMBIENT & INDOOR HOIST BRAKE.

REV	C	BLOCK OPERATED ULTIMATE LIMIT OPTION ADDED, WORD 'INVERTER' IN NOTE CHANGED TO 'CONTACTOR CONTROL' ON SHT 3. WHEEL LOAD TABLE UPDATED. REF ECO-00260	SAJID	05/03/2009	Street Crane Co. Ltd				TITLE	CONTRACT No.			
	B	SHEET3 ADDED, NEW ROPE POSITION SHOWN, NET WEIGHT RE-CALCULATED. REF ECO-00152	BPC	09/06/2008	DATE	DRAWN	CHECKED	SCALE	ZX064 LOW HEAD USA DATA SHEET HOIST OPTIONS	PART No.	DZX-1004		
		DESCRIPTION	BY	DATE	03/04/2008	bhushan	CR	NTS	DRAWING No.	3	DZX-1004	C	SHT 3 OF 3

INFRINGEMENT OF COPYRIGHT. THIS DRAWING IS THE PROPERTY OF STREET CRANE COMPANY LTD AND MUST NOT BE COPIED OR SHOWN TO THIRD PARTIES WITHOUT THE WRITTEN PERMISSION OF STREET CRANE CO LTD, CHAPEL-EN-LE-FRITH, HIGH PEAK, SK23 0PH. U.K . T : +44 (0)1298 812456 F : +44 (0)1298 814945