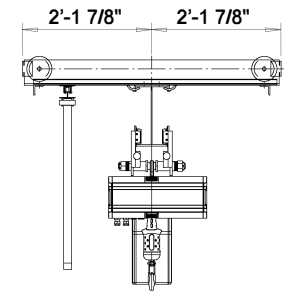
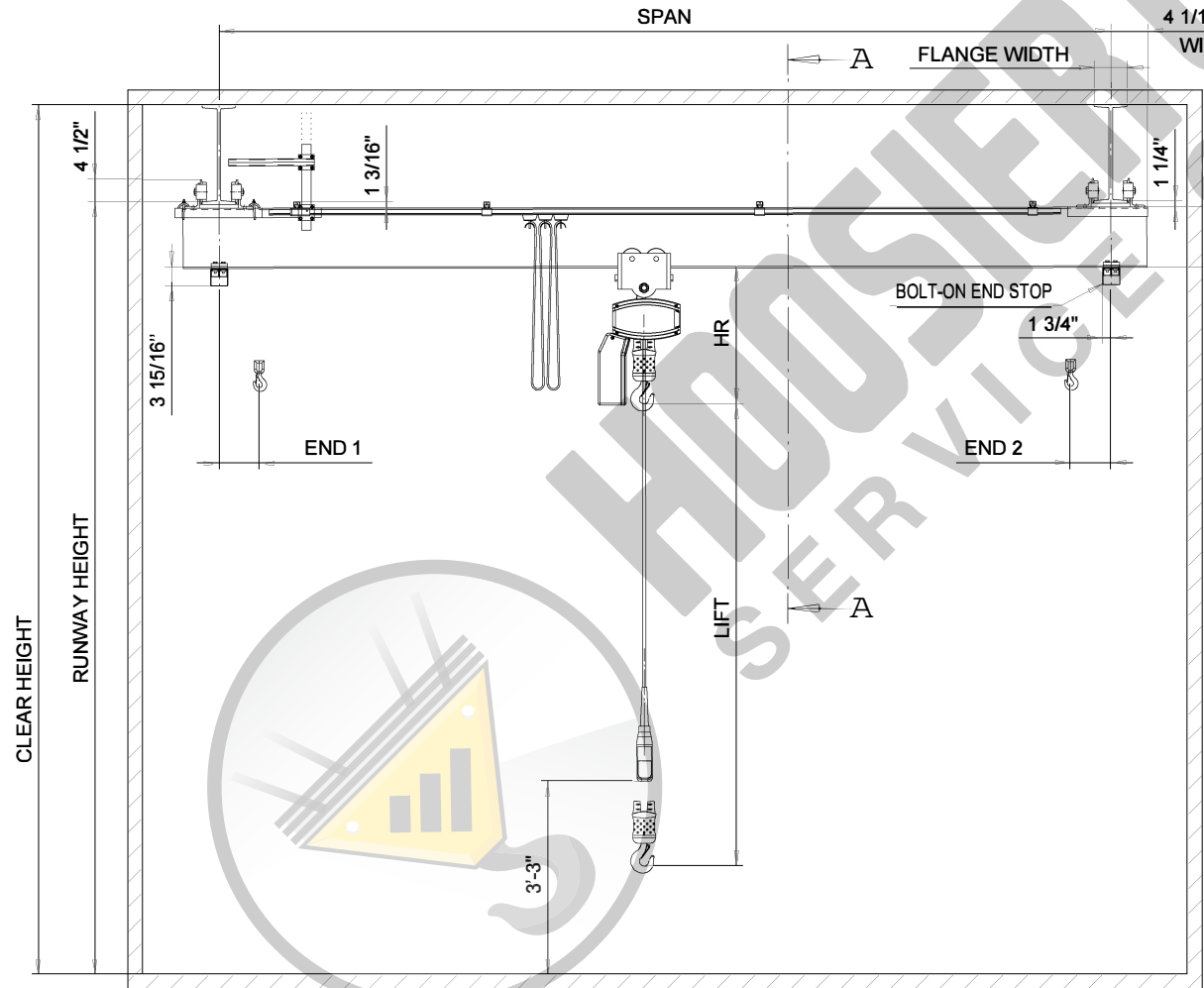


DETAIL - CRANE COLLECTOR ARM OPTION

4 1/16" + (1/2 x FLANGE WIDTH)
WITHOUT COLLECTOR ARM



VIEW A-A



Capacity	Hoist	HR	END 1	END 2
1/2 T	LK05 C - 1 fall	20"	5 7/8"	5 7/8"
1 T	LK10 C - 1 fall	23"	6 11/16"	6 11/16"
2 T	LK10 C - 2 fall	28"	7 9/16"	7 9/16"



QLP SGUR PUSH CRANE

SGUR PUSH CRANE LK1.vxp

6/2018