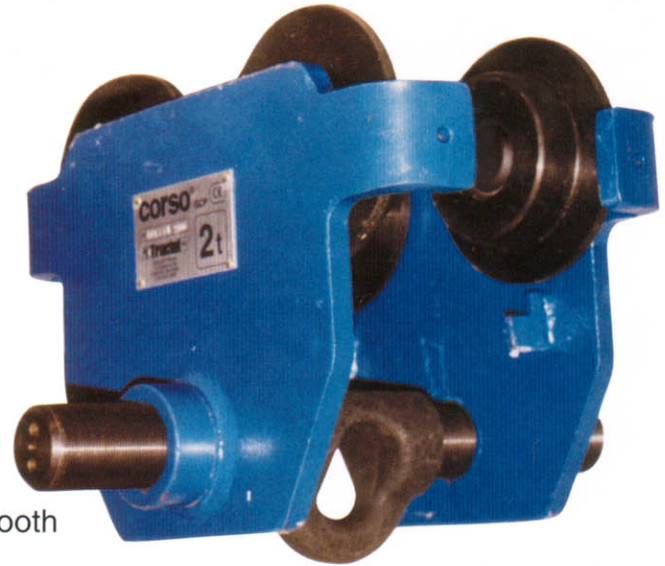


CORSO® BEAM TROLLEY

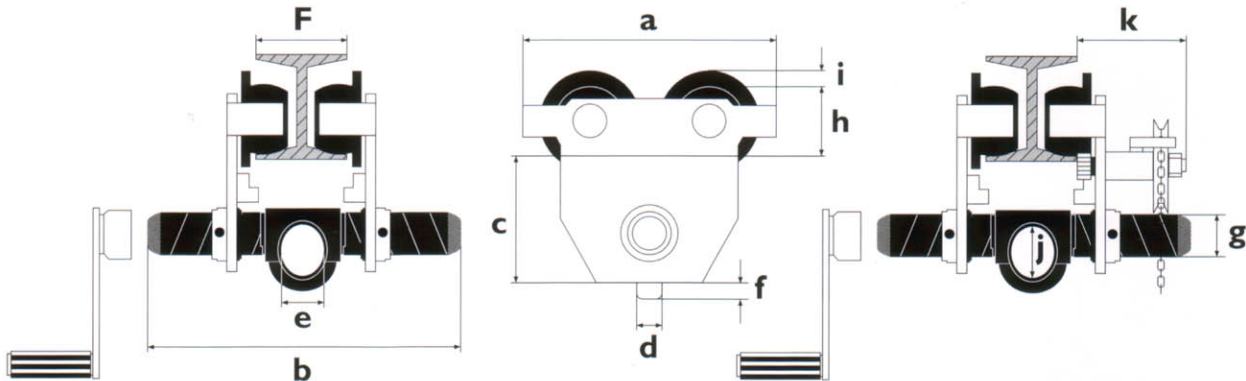
The Corso® range of travelling trolleys has been designed to suspend a variety of lifting equipment. The Corso® beam trolley is your essential complement to the Tralift® and Bravo® range of products.

Corso® 0.5 to 5 t

- Adjustable to a wide variety of beams
- Designed to minimize overhead loss
- Built-in anti-drop bars
- Wheels with ball bearings for ease of use and smooth operation
- Oval anchor point for easy attachment of lifting gear
- Anti-tilt system welded to the side plates



Threaded hanger bar adjustment model



	Code	Beam width		Radius of curve	Effort on chain at capacity	Lost Height c + f	Dimensions											Weight					
		Beam width F (standard)	Beam width F (special order)				a		b ^{**}	d	e	f		g	ø h	i	j	k'	push	geared			
		in.	in.				in.	in.	in.	in.	in.	in.	in.	in.	in.	in.	in.	in.	in.	in.	lbs.	lbs.	
		mm		m	kg	mm	mm	mm	mm	mm	mm	mm	mm	mm	mm	mm	mm	mm	mm	mm	mm	kg	kg
0.5 t	23309	2 - 8.7	8.7 - 11.8	3	-	4.1	8.9	12.8	0.6	1	0.6	1.1	2.1	0.4	1.2	-	18.7	-					
	-	50 - 220	220 - 300	0.9	-	104	225	324	16	25	16	27	53	11	30	-	8.5	-					
1 t	23319	2.3 - 8.7	8.7 - 11.8	3.3	12	4.8	9.9	13.2	0.7	1.2	0.7	1.2	2.4	0.6	1.4	3.9	22	42					
	23339 [*]	58 - 220	220 - 300	1	5.5	120	252	334	17	30	17	30	62	15	35	100	10	19					
2 t	23329	3 - 8.7	8.7 - 11.8	3.9	22	5.7	11.8	13.5	0.8	1.6	0.7	1.5	3.2	0.7	1.8	4.7	40	50					
	23349 [*]	66 - 220	220 - 300	1.2	10	145	300	342	21	40	18	38	80	18	45	120	18	22.5					
3 t	23379	2.9 - 8.7	8.7 - 11.8	4.2	16.5	7.6	14.2	14.1	0.8	1.9	0.7	1.8	3.8	0.6	2.2	5.3	71	83					
	23359 [*]	74 - 220	220 - 300	1.3	7.5	195	360	358	21	48	18	45	97	15	55	135	32	37.5					
5 t	23389	3.5 - 8.7	8.7 - 11.8	4.6	26.5	8.4	15.8	14.7	1.2	2.3	0.8	2.1	4.3	0.8	2.6	5.7	107	121					
	23369 [*]	90 - 220	220 - 300	1.4	12	212	400	372	31	58	20	52	110	20	65	145	48.5	55					

* Geared models only.

** Standard cross bar up to 8.7 in. (220 mm) beam width.