

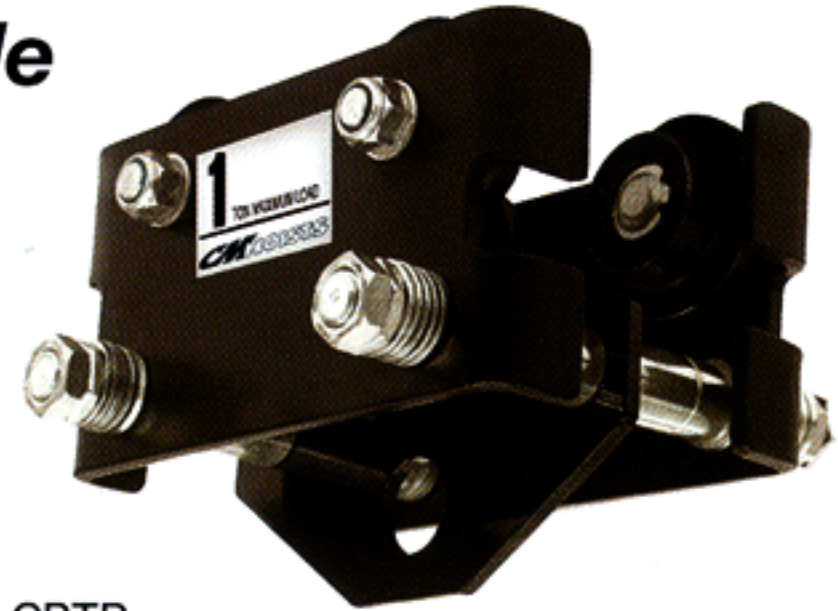
## Model CBT

### The Industry Leader

### Plain or Geared Trolleys – Versatile, Economical, and Reliable

The smooth rolling CM Hoist CBT is the economical choice for most applications. The trolley features steel wrap around side plates, dual tread wheels and lifetime lubricated shielded ball bearings. The CBT Model by CM Hoist is available in plain and geared models.

- **Capacities** - Rated loads from 1/4 to 5 Ton (Metric Rated). In plain and geared models.
- **Economical** - Excellent low cost choice for manual and powered hoists.
- **Rugged** - Designed to provide superior performance and long, efficient service.
- **Low Rolling Effort** - Geared models have standard 6-foot hand chain drop. Other hand chain drops available.
- **Universal Hanging Clevis** - Accepts most hook mounted hoists.
- **Adjustable** - Trolley easily adjusts to fit any beam flange within range of adjustment, up to an 8.7" flange width.
- **Wrap-Around Side Plates** - Lugs provide additional security to increase operator safety and act as bumpers to protect wheels.
- **Dual Tread Wheels** - Will fit either tapered or flat beam flange within range of adjustment. Wheels include permanently lubricated, shielded ball bearings for long life and low maintenance.
- **Lifetime Warranty**



CBTP  
(Plain Trolley)  
1/4 To 5 Ton



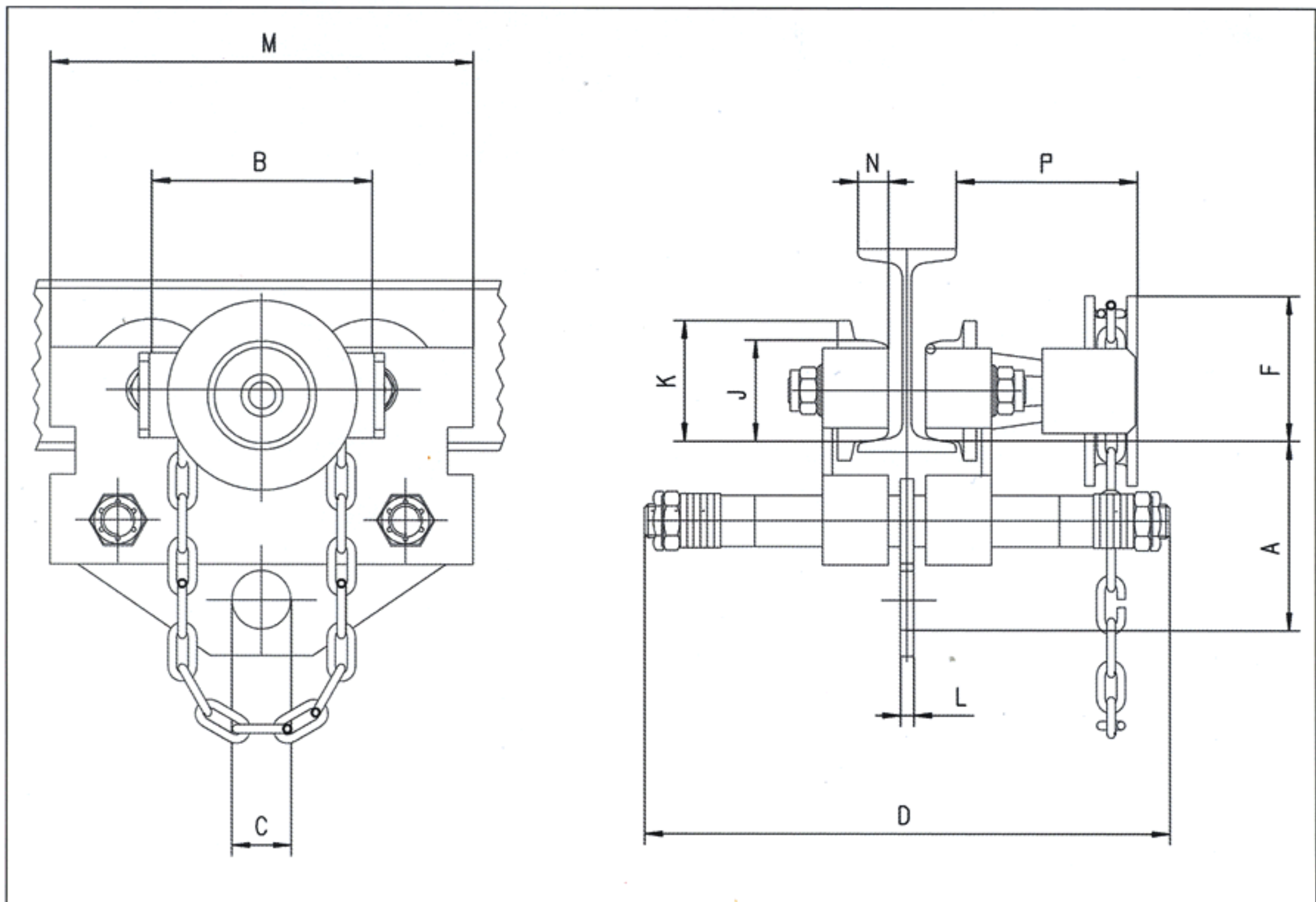
CBTG  
(Geared Trolley)  
1 To 5 Ton

#### SPECIFICATIONS - Model CBT

| Capacity *<br>(Ton) | Model<br>Number** | Standard Beam<br>Height (In.) | I-Beam Width<br>(In.) | Minimum<br>Radius Curve (In) | Wheel Tread<br>Diameter (In) | Wt.<br>(Lb.) |
|---------------------|-------------------|-------------------------------|-----------------------|------------------------------|------------------------------|--------------|
| 1/4                 | CBTP-0025         | 4-24                          | 2.0-8.7               | 27                           | 2.36                         | 19           |
| 1/2                 | CBTP-0050         | 4-24                          | 2.0-8.7               | 27                           | 2.36                         | 19           |
| 1                   | CBTP(G)-0100      | 5-24                          | 2.3-8.7               | 36                           | 2.36                         | 26           |
| 1 1/2               | CBTP(G)-0150      | 6-24                          | 2.3-8.7               | 45                           | 3.15                         | 46           |
| 2                   | CBTP(G)-0200      | 6-24                          | 2.3-8.7               | 45                           | 3.15                         | 46           |
| 3                   | CBTP(G)-0300      | 8-24                          | 3.0-8.7               | 55                           | 4.41                         | 86           |
| 5                   | CBTP(G)-0500      | 10-24                         | 3.5-8.7               | 70                           | 4.92                         | 130          |

\* Metric Rated

\*\*When ordering specify "P" for plain trolley or "G" for geared trolley



Clearance Dimensions (In.)

Model CBT

| Capacity (Ton) | A    | B    | C    | D     | CBTG F | J    | K    | CBTG K | L   | M     | N    | CBTG P |
|----------------|------|------|------|-------|--------|------|------|--------|-----|-------|------|--------|
| 1/4            | 3.94 | 3.54 | 1.18 | 11.81 | -      | 2.36 | 2.83 | -      | .31 | 7.56  | .71  | -      |
| 1/2            | 3.94 | 3.54 | 1.18 | 11.81 | -      | 2.36 | 2.83 | -      | .31 | 7.56  | .71  | -      |
| 1              | 4.33 | 5.12 | 1.38 | 12.20 | 3.60   | 2.36 | 2.83 | 3.03   | .31 | 9.84  | .71  | 4.33   |
| 1 1/2          | 5.12 | 5.91 | 1.89 | 12.60 | 3.56   | 3.15 | 3.78 | 3.86   | .47 | 11.81 | .79  | 4.33   |
| 2              | 5.12 | 5.91 | 1.89 | 12.60 | 3.56   | 3.15 | 3.78 | 3.86   | .47 | 11.81 | .79  | 4.33   |
| 3              | 6.18 | 7.09 | 2.36 | 13.39 | 4.23   | 4.41 | 5.20 | 5.24   | .55 | 14.57 | 1.14 | 4.33   |
| 5              | 7.09 | 8.23 | 2.76 | 13.78 | 5.89   | 4.92 | 5.63 | 5.87   | .79 | 17.32 | 1.26 | 4.33   |



Columbus McKinnon Corporation/Industrial Products Division  
 140 JOHN JAMES AUDUBON PARKWAY  
 AMHERST, NEW YORK 14228-1197  
 800/888-0985 • 716/689-5400 • FAX: 716/689-5644  
 www.cminustrial.com

**WARNING**

Overloading and Improper Use Can Result In Injury

To Avoid Injury:

- Do not exceed working load limit, load rating, or capacity.
- Do not use to lift people or loads over people.
- Use only alloy chain and attachments for overhead lifting.
- Read and follow all instructions.